

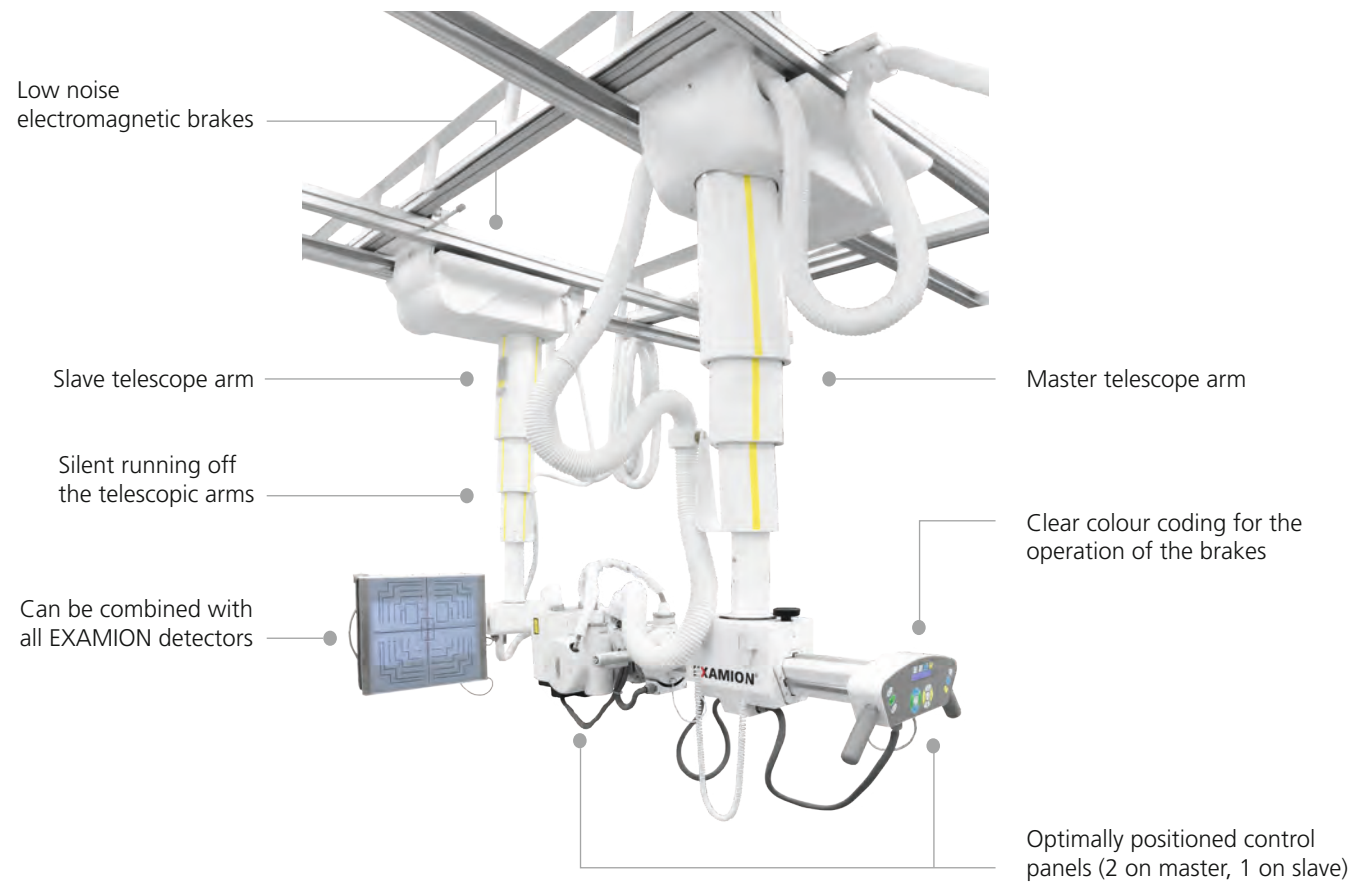
X-DRS Ceiling

Ceiling-mounted complete X-ray system for the equine veterinary practice



Stationary X-ray system for the equine clinic

The ceiling-mounted X-ray system X-DRS Ceiling is a versatile system developed specifically for the requirements of the equine veterinary practice. The stationary X-ray system with one or two telescopic arms delivers high-quality images and impresses users with the latest technology and maximum user comfort. In designing this innovative X-ray system, the focus was clearly on the well-being of the animal. Noise generation has thus been minimised, ensuring that the examinations are as pleasant as possible for the animal. The system can be combined with all EXAMION detectors.



The large working area gives the animal, the veterinarian and all other participants more freedom of movement and thus greater safety.



Maximum system flexibility

Thanks to the high mobility of the X-ray system, an extremely wide range of X-rays is possible: Patient images at a height of up to 210 cm and also foot images.

- Vertical mobility 180 cm height; optionally also 193 cm high
- Floor clearance from 7 to 13 cm
- Working area of 430 x 460 cm
- X-ray tube telescopic arm with 32 cm horizontal mobility



Intuitive control software

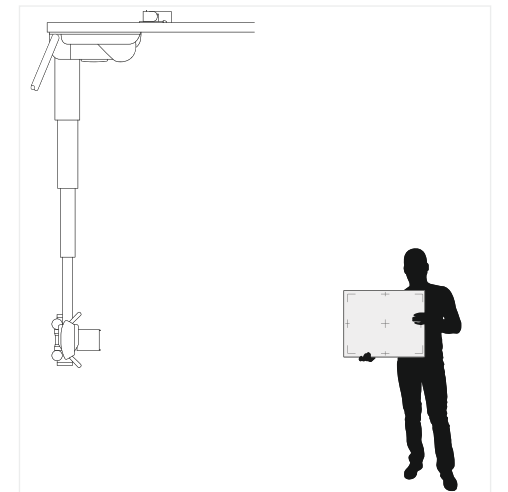
- Combined control of X-ray generator and detector
- Horse-specific organ programs
- State-of-the-art image processing
- Express buttons for pre-purchase examinations
- Simple image viewing using the radiological viewer with diagnostic tools and measurement functions



Equipment options

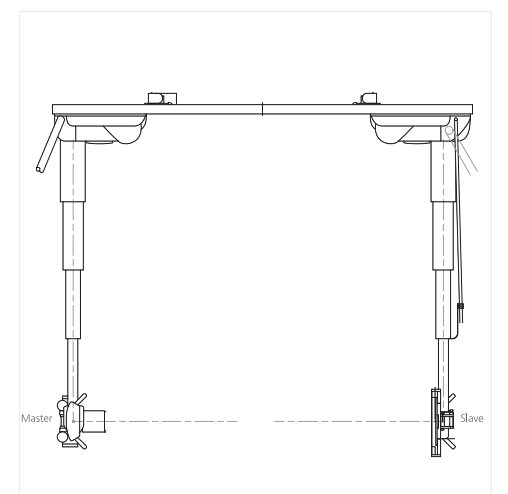
X-DRS Ceiling One – one telescopic arm

- The entry-level gantry for your advanced equine X-raying.
- The most powerful equine x-ray system at your fingertips.
- All power required to reproduce crispy images with shortest exposures.
- All challenging abdominal, hip and thoracic equine radiographic procedures within easy reach.
- The dual up-close and remote telescopic tube stand controls allow for best safety of horse, radiologists and veterinary technicians.
- Minimal force to be exerted when positioning the x-ray tube.



X-DRS Ceiling Two – two telescopic arms

- The telescopic tube stand, supplemented by its twinned bucky stand upgrades to the equine most versatile and optimised X-ray solution.
- Automatic synchronisation between tube and bucky stand for a perfect tube-panel alignment every time.
- Secure Bucky tray providing maximum detector protection.
- Integrated anti-scatter grid assuring the highest image quality.
- Automatic exposure control (AEC) for consistent dose and exposures.
- Dual telescopic tube stand controls (up-close and remote) for best safety of horse, radiologists and veterinary technicians.



EXAMION GmbH

EXAMION is a global provider of digital radiography solutions for human and veterinary medicine. We have been operating according to our 'one-stop expert' principle for more than 30 years, assisting our customers with competent advice in planning, installation and after-sales services.



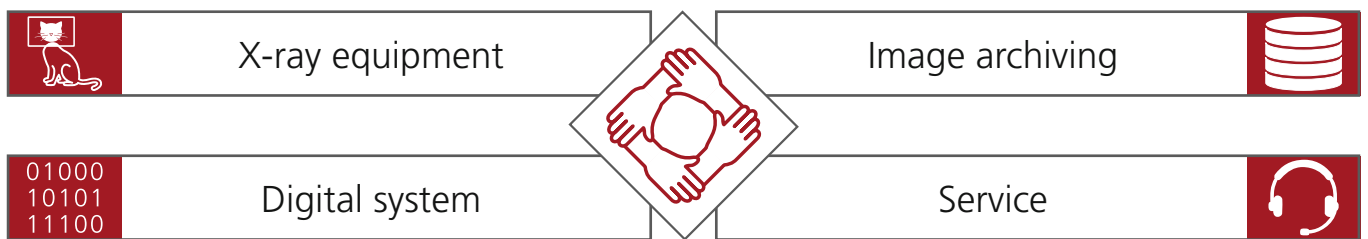
We currently support more than 7,000 systems, which are primarily stationary installations in hospitals and medical practices, partially also mobile applications. Our proprietary EXAMION X-AQS software for system control, image processing, diagnosis and archiving ensures a standardised control and efficient workflow.

In addition to radiography and digital image processing, our product range includes mammography and radiotherapy.

Our more than 150 specialists work as a team for our customers throughout Germany, and four European locations in Belgium, Poland, Portugal and Switzerland. Through a network of certified sales and service partners, EXAMION provides customers around the world with its latest state-of-the-art X-ray solutions.

EXAMION is characterised by its extensive market expertise, cutting-edge technology and its vast number of project references in the private and public sector.

Benefit from years of experience



Contact head office

EXAMION GmbH

Erich-Herion-Str. 37
70736 Fellbach
Germany

+49 711 120 002 - 0

+49 711 120 002 - 22

sales@examion.com

www.examion.com



Certified partner of EXAMION